

TTC Status

A horizontal yellow brushstroke with a textured, painterly appearance, extending across the width of the slide below the title.

LHCb Online Meeting
15 June 1998
Beat Jost Cern/EP

Why TTC again



- Referees were missing specific LHCb requirements

Requirements



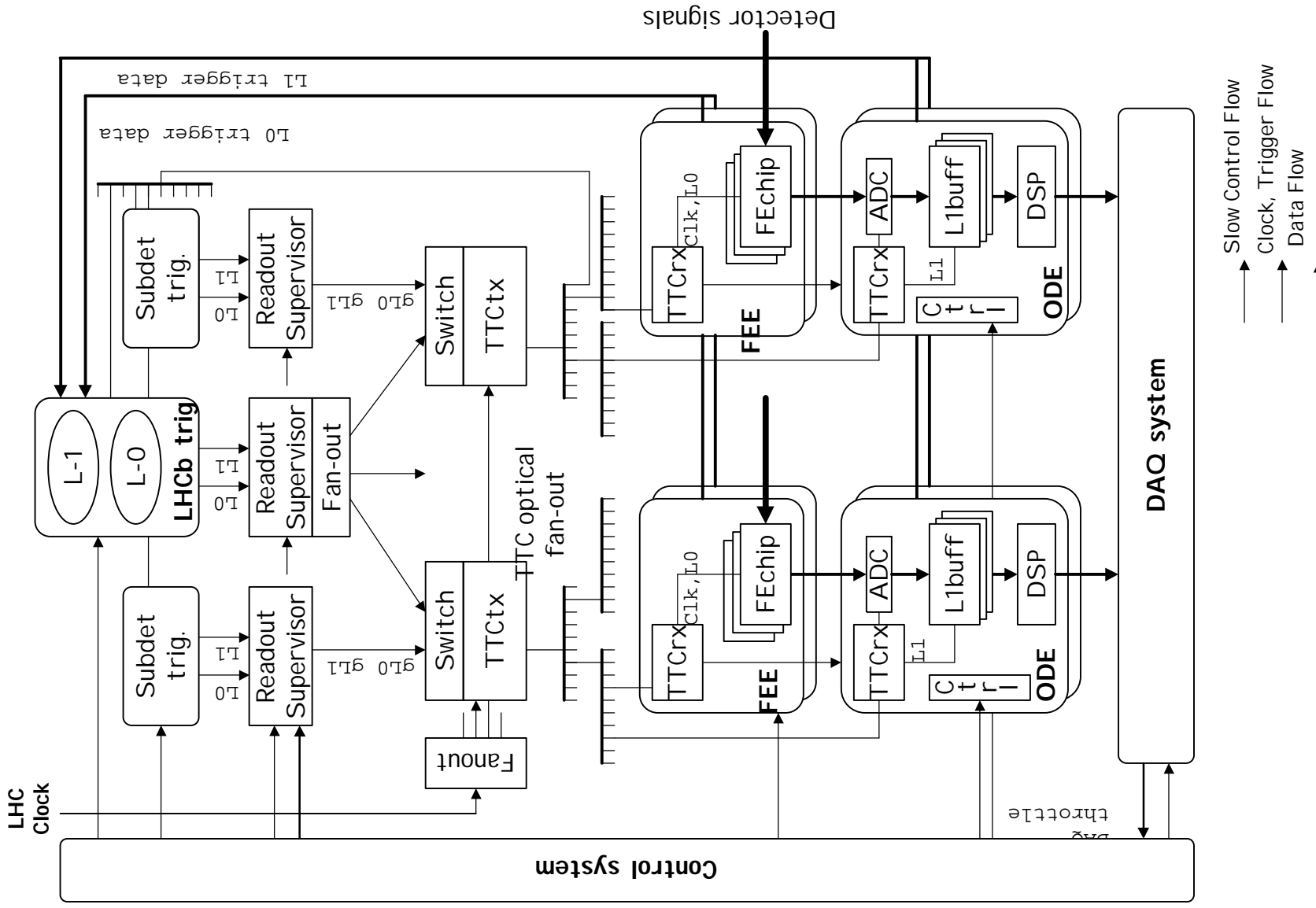
- LHC-synchronous clock
 - phase adjustable with resolution of 100 ps
 - Number of phases ≥ 2
 - clock jitter ≤ 100 ps
 - L0 decision @ 40 MHz
 - L1 decision @ 1 MHz
 - Setup via separate path
- } Synchronous across detector

RD-12 Specifications



- LHC Synchronous Clock
 - phase adjustable with resolution of 100 ps
 - Number of phases: 2
 - clock jitter ≤ 50 ps
- L0 decisions: ok.
- L1 decisions @ 1 MHz: use global broadcasts on channel B of system
- Setup via I2C interface.

TTC Architecture



Open Questions



- Error rates on Channels A and B
- Maximum rate of Channel B broadcasts
(remember: required is ≤ 1 MHz, on paper maximum rate is 1.25 MHz)